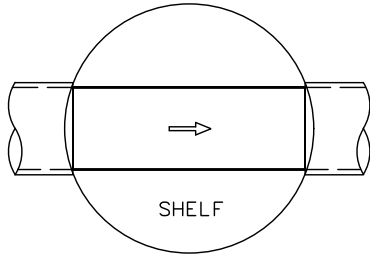
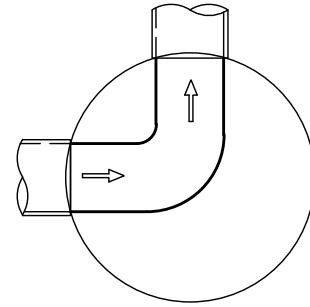




BURBANK SANITARY DISTRICT



TYPICAL STRAIGHT THROUGH MANHOLE

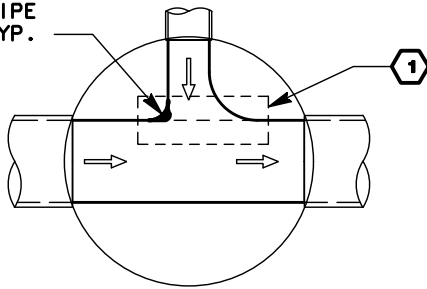


TYPICAL CURVED MANHOLE

NOTES:

1. LAY PIPE THROUGH THE BOTTOM OF MANHOLE
2. AFTER CONCRETE HAS SET, REMOVE UPPER PORTION OF PIPE

CHANNELIZE IN DIRECTION OF FLOW. DO NOT INTRUDE MORE THAN 20% OF PIPE DIAMETER, TYP.

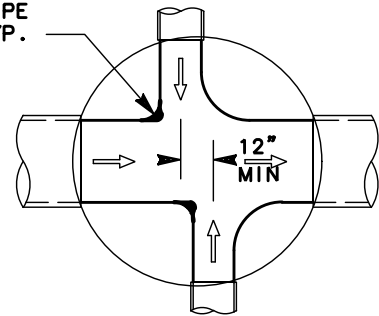


TYPICAL MANHOLE WITH 1 BRANCH

NOTES:

1. REMOVE PORTION OF PIPE IN BOXED AREA ABOVE
2. THEN LAY PIPE THROUGH THE BOTTOM OF MANHOLE
3. AFTER CONCRETE HAS SET, REMOVE UPPER PORTION OF PIPE

CHANNELIZE IN DIRECTION OF FLOW. DO NOT INTRUDE MORE THAN 20% OF PIPE DIAMETER, TYP.



TYPICAL MANHOLE WITH 2 BRANCHES

NOTES:

1. WHEN FOUR LINES COME INTO A MANHOLE, THE TWO LINES WHICH EMPTY INTO THE MAIN CHANNEL ARE TO BE STAGGERED FROM CENTERLINE TO CENTERLINE BY 12" MINIMUM

NOTES:

1. CHANNELS TO BE FORMED TO APPROXIMATE WIDTH, SIZE, & SHAPE OF PIPE AND FINISHED WITH GROUT
2. THICKNESS OF GROUT TO BE APPROXIMATELY HALF AN INCH (1/2")
3. TROWEL SMOOTH CURVES TO FIT, TYP

FILE NO.
SP-248

MANHOLE CHANNELS

DETAIL **3**

DR. BY: ED
DATE: 06/01/2020

CK. BY: FQ
DATE: 06/01/2020

APPROVED. BY:

DATE: 06/01/2020