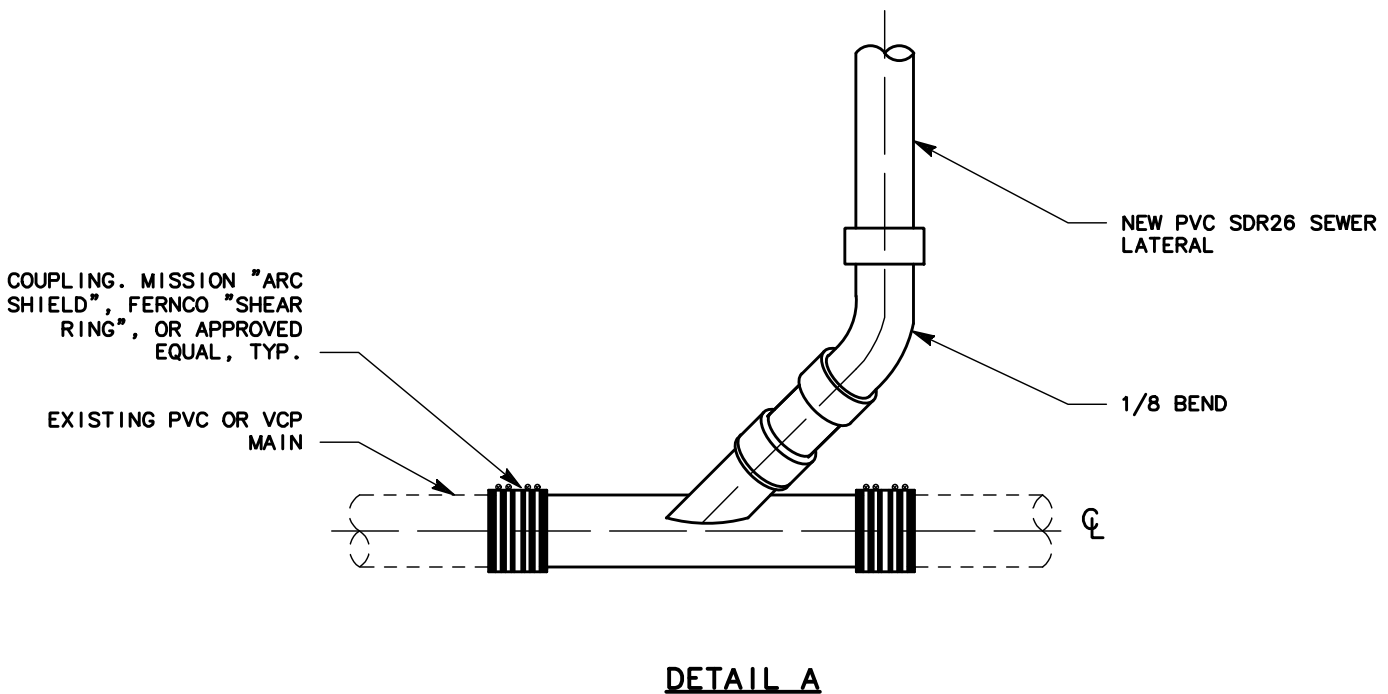
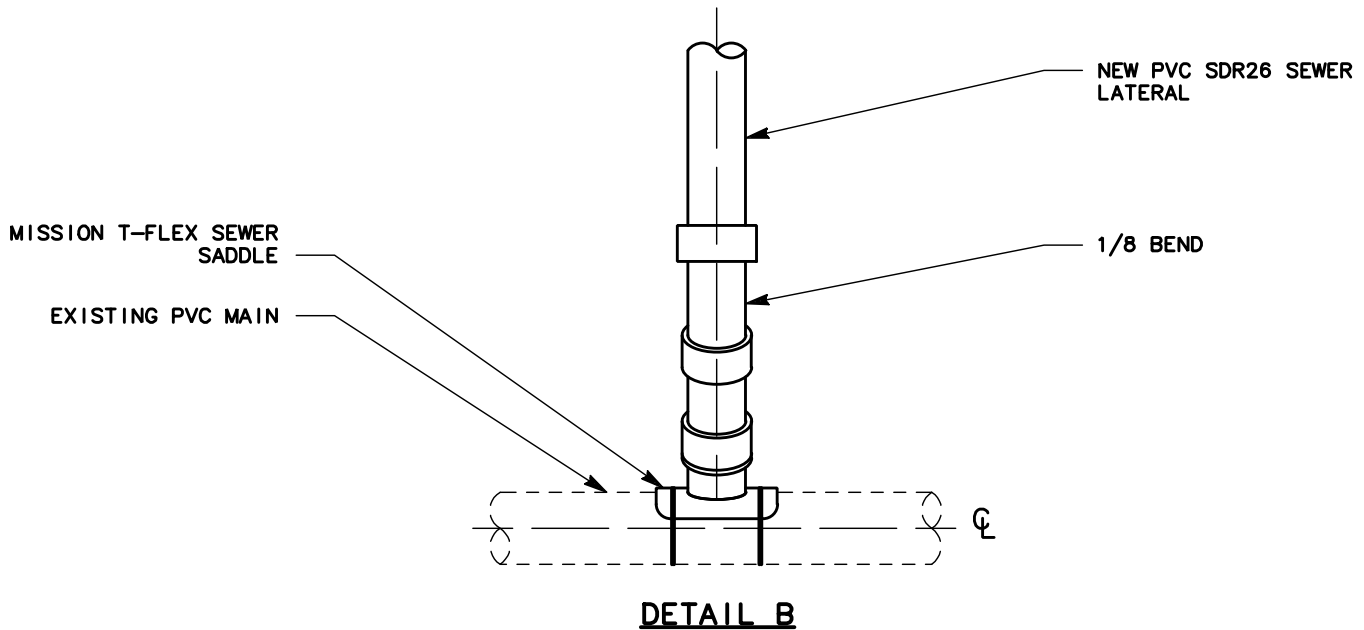




# BURBANK SANITARY DISTRICT



### NOTES:

1. DETAIL A – NEW LATERAL INTO EXISTING PVC & VCP (CLAY) SEWER MAINS
2. DETAIL B – ALTERNATIVE CONNECTION AS APPROVED BY THE DISTRICT

## LATERAL CONNECTIONS TO MAINS

DETAIL **10**

DR. BY: ED  
DATE: 06/01/2020

CK. BY: FQ  
DATE: 06/01/2020

APPROVED. BY:

DATE: 06/01/2020