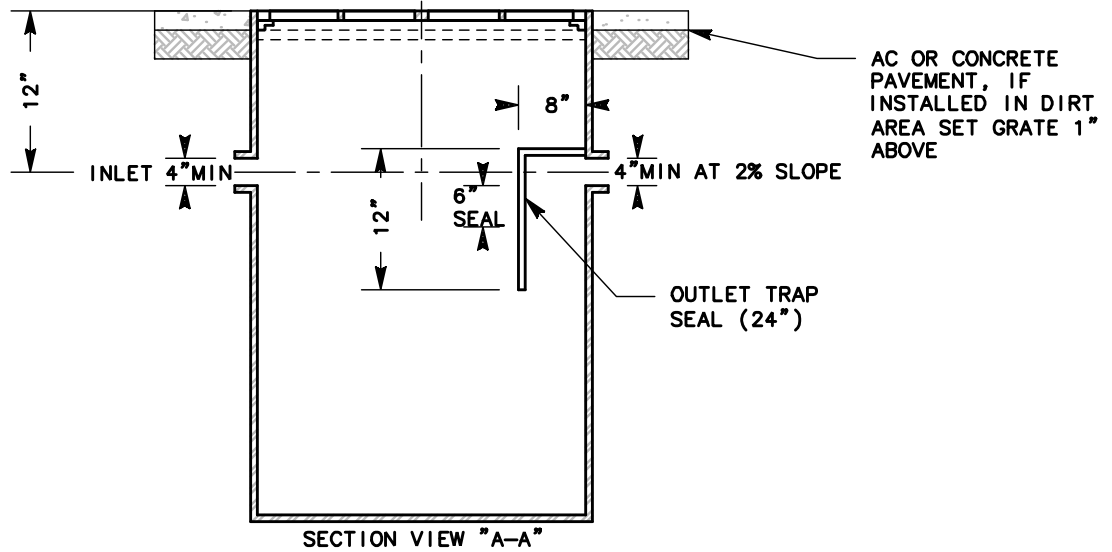
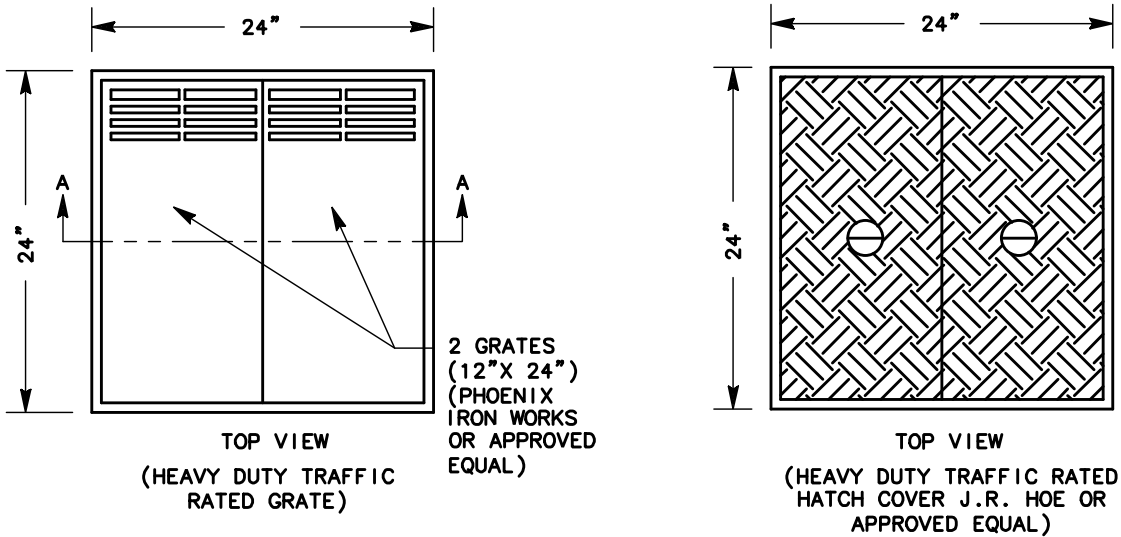




BURBANK SANITARY DISTRICT



NOTES:

1. SAND INTERCEPTOR SHALL BE INSTALLED FOR TRASH ENCLOSURE, UNDERGROUND PARKING GARAGE, OR OTHER LOCATIONS AS REQUIRED BY THE ENGINEER.
2. TYPE OF UNITS
 - A) MAY BE FABRICATED STEEL CATCH BASIN, GRAY DUCO COATED INSIDE AND OUTSIDE, THREADED INLET & OUTLET PER ZURN Z1187-S1 OR APPROVED EQUAL
 - B) MAY BE A PRECAST CONCRETE UNIT (OLDCASTLE OR JENSEN 2' X 2' DRAINAGE INLET) FITTED WITH STEEL OUTLET TRAP SEAL COATED GRAY DUCO OR APPROVED EQUAL.

SAND INTERCEPTOR

DETAIL **11**

DR. BY: NC DATE: 06/01/2020

CK. BY: FQ DATE: 06/01/2020

APPROVED. BY:

DATE: 06/01/2020