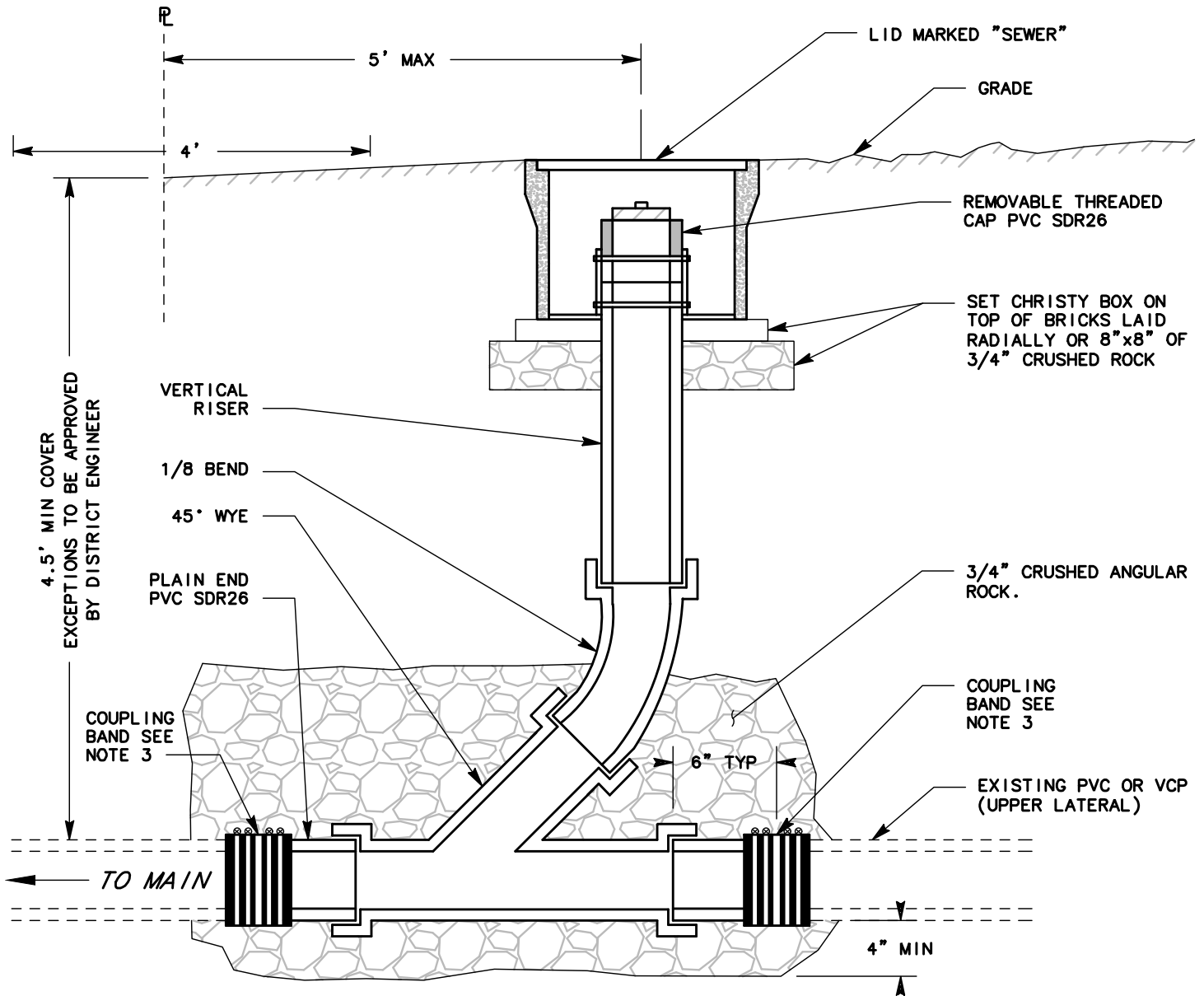




# BURBANK SANITARY DISTRICT



### NOTES:

1. ALL PIPING AND FITTINGS SHALL BE PVC SDR26.
2. CLEANOUT BOX SHALL BE OLDCASTLE PRECAST F08 WITH F08C FOR NON-TRAFFIC AREA AND G05T WITH G05CT IN TRAFFIC AREA OR APPROVED EQUAL.
3. CONNECTION TO LOWER SANITARY SEWER LATERAL
  - A. EXISTING LATERAL- MAKE CONNECTION TO EXISTING LATERAL IN GOOD CONDITION AS DETERMINED BY THE ENGINEER WITH MISSION CLAY "ARC SHIELDED", FERNCO "SHEAR RING COUPLING" OR APPROVED EQUAL.
  - B. NEW LATERAL- SEE DETAIL 6 FOR LOWER LATERAL. CONNECT LATERAL WYE DIRECTLY TO LOWER LATERAL
4. CLEANOUT, ONCE INSTALLED AND APPROVED BY THE DISTRICT, BECOMES PRIVATELY OWNED AND MAINTAINED BY PROPERTY OWNER.

## PROPERTY LINE CLEANOUT

DETAIL **7**

DR. BY: ED  
DATE: 06/01/2020

CK. BY: FQ  
DATE: 06/01/2020

APPROVED. BY:

DATE: 06/01/2020